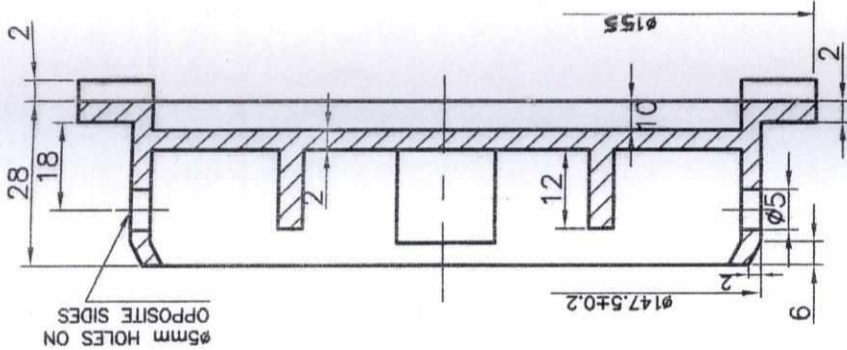
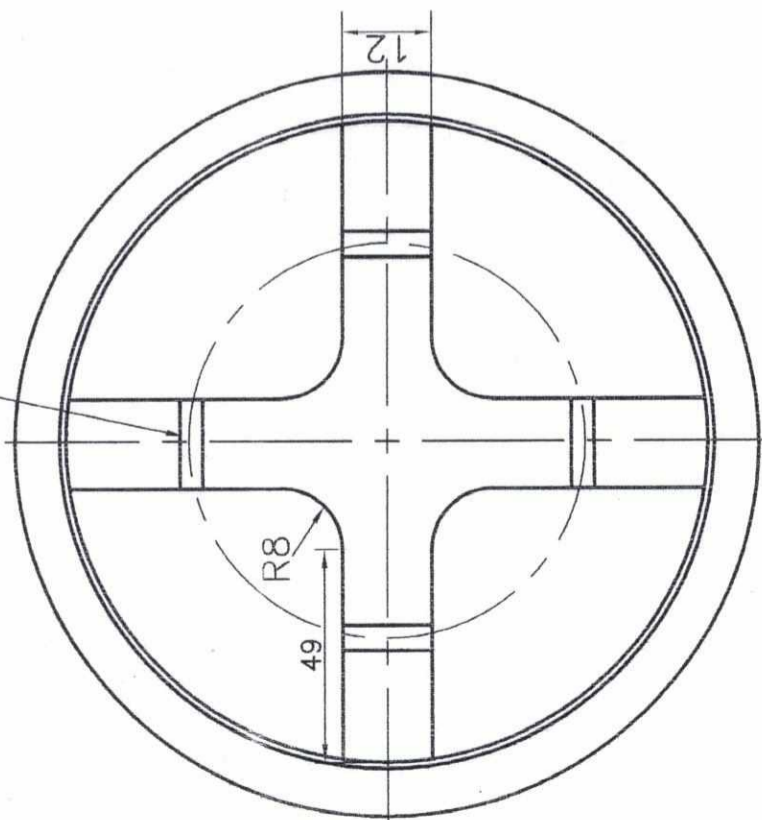


FIRST ANGLE PROJECTION

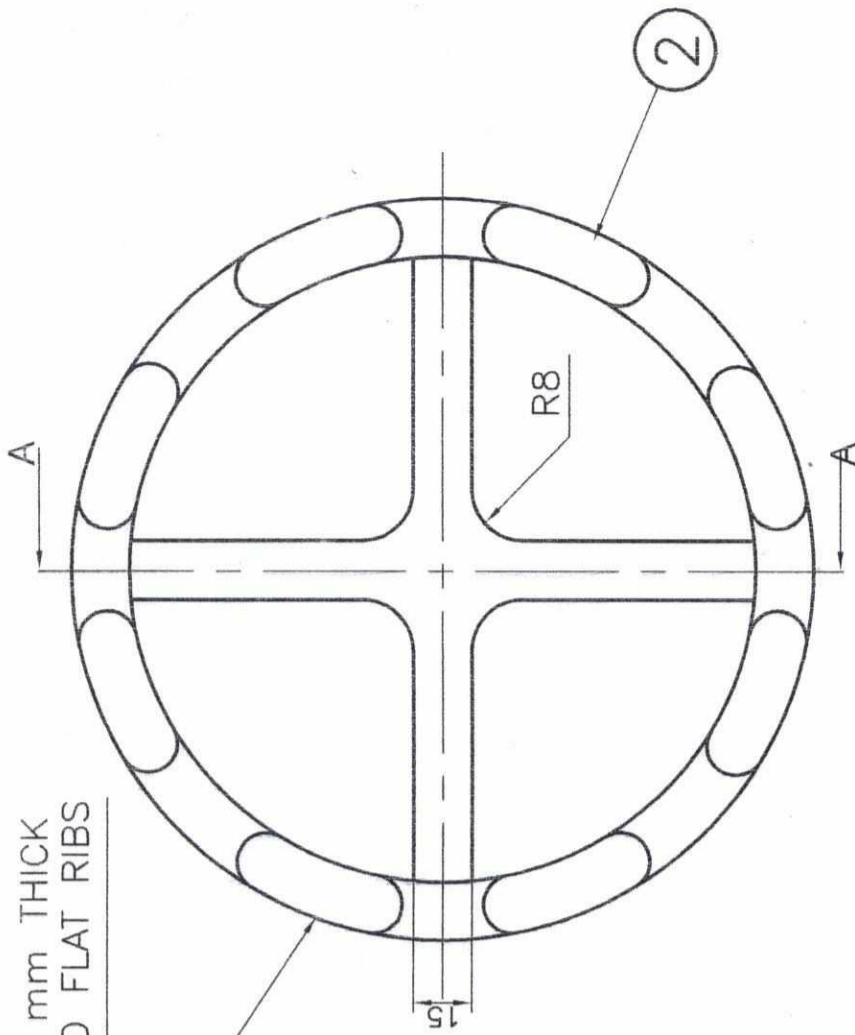
REV 00
 DRG No. 3 987 13 35100 CBT

6X12X12.5 SIZE 4 Nos RIBS
 EQUISPACED ON 80 PCD



SECTION A-A

8 No's 2 mm THICK
 PROJECTED FLAT RIBS



ALL DIMENSIONS ARE IN mm.

CONTROLLED COPY

NOTES:

CAP MATERIAL: COMMERCIAL GRADE LDPE/PVC

		BHARAT HEAVY ELECTRICALS LTD; ELECTROPORCELAINS DIVISION BANGALORE 560 012		NAME USMAN	SIGN 	DATE 3/7/15
DEPT CODE	GRADE OF TOL DIM C/M/F	SCALE N.T.S	WEIGHT (kg) --- (Approx)	DRN CHD APPD	REF TO ASSY.DRG	ITEM No. No. of ITEMS
TITLE CAP FOR CARDBOARD TUBE END CAP FOR PACKING OF COMPOSITE LONG ROD INSULATOR			CARD CODE 3 987 13 35100 CBP 00	DRAWING No. 3 987 13 35100 CBP 00		REV. 00
INVENTORY No.						No. OF SHEETS

SUPERSEDES DRG. No. 3 SK 3195

SHT.24 SIZE A3 420 x 297

THE INFORMATION ON THIS DOCUMENT IS THE PROPERTY OF BHARAT HEAVY ELECTRICALS LIMITED, IT MUST NOT BE USED DIRECTLY OR INDIRECTLY IN ANY WAY DETRIMENTAL TO THE INTEREST OF THE COMPANY

REF. DRG. No. SIGN AND DATE