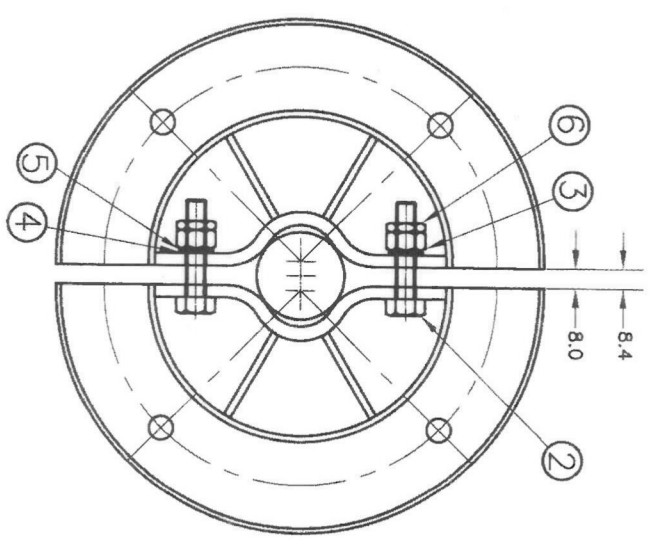
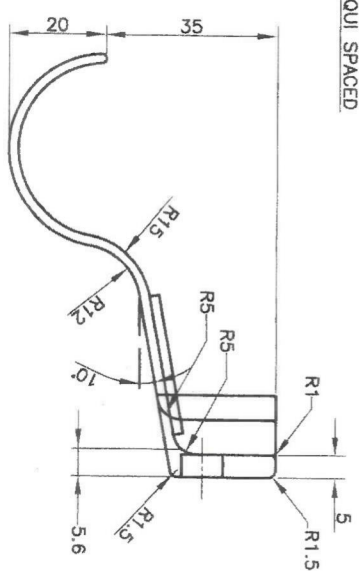
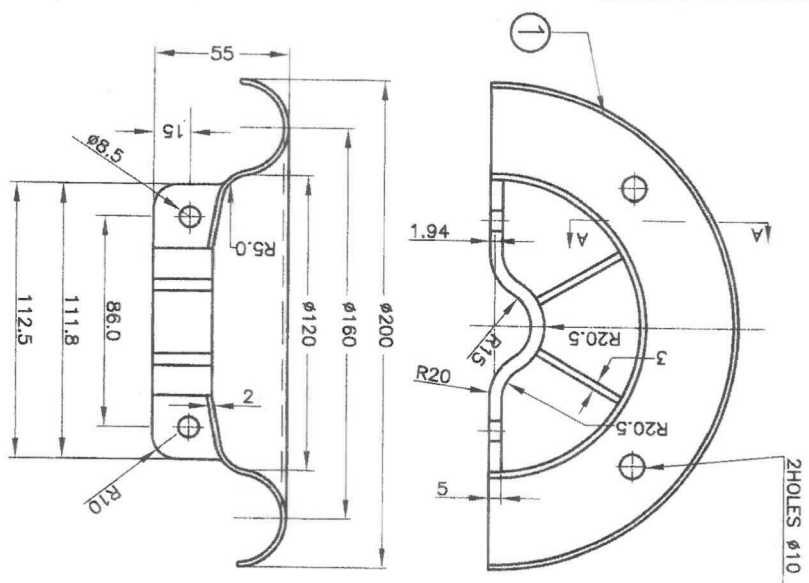
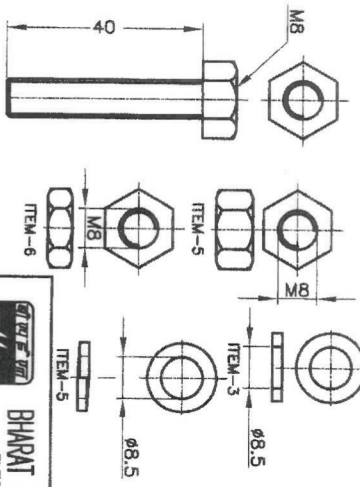


REV 10
 CT14C E1 786 E
 DRG No.



- NOTES :**
1. MATERIAL: ALUMINIUM ALLOY CONFIRM TO DESIGNATION GR. 4600.
 2. CORONA RING PRESSURED DIE CASTING MUST BE SMOOTH FINISH.
 3. UNTOLERANCED DIMENSIONS ARE MAINTAINED WITHIN ±1%.
 4. UNSPECIFIED RADII ARE 1mm.



ITEM No.	DESCRIPTION	MATERIAL	QTY.
1	RING 1 HALF	ALUMINIUM ALLOY	2
2	HEX. BOLT	STAINLESS STEEL AISI 304	2
3	HEX. NUT	STAINLESS STEEL AISI 304	2
4	PLAIN WASHER	STEEL Fe-410, IS:2062	2
5	SPRING WASHER	SPRING STEEL(GALVANISED)IS:4072&3063	2
6	LOOK NUT	STAINLESS STEEL AISI 304	2

REV	DATE	ALTERED	DATE	ALTERED
01	06.03.2018	CHECKED		

REV	DATE	ALTERED BY	DATE	ALTERED BY
01	06.03.2018	CHECKED		

1. DRAWING REVISED & REDRAWN
 2. NOTE 2 ALTERED
 3. ITEM NO 1 ALTERED IN BOM

REF:PH5898

CONTROLLED COPY

INVENTORY No. SIGN AND DATE REF. DRG. No.

THE INFORMATION ON THIS DOCUMENT IS THE PROPERTY OF BHARAT HEAVY ELECTRICALS LIMITED.. IT MUST NOT BE USED DIRECTLY OR INDIRECTLY IN ANY WAY DETRIMENTAL TO THE INTEREST OF THE COMPANY

DEPT. OF GRADE OF TOL. DIM C/M/P SCALE WEIGHT (kg) (Approx) REF TO ASSY.DRG

BHARAT HEAVY ELECTRICALS LTD.,
 ELECTROPORCELAINS DIVISION
 BANGALORE - 560 012

COVERED TYPE CORONA RING
 Ø200 FOR COMPOSITE LONG ROD
 INSULATOR (METAL PART OD 36MM)

DRAWING No. 3 987 14 34123
 REV. 01

SH.T.24 SIZE A3 420 x 297

NO. OF SHEETS