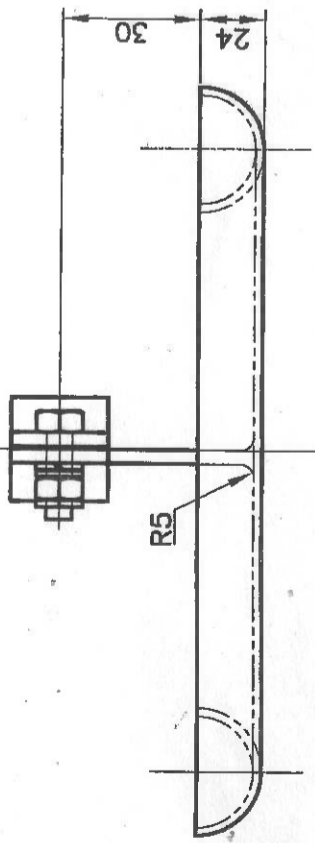


FIRST ANGLE PROJECTION

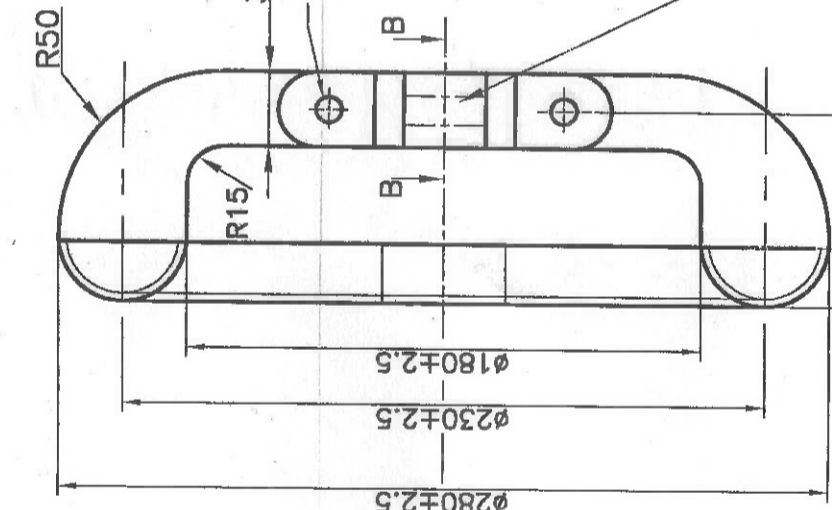
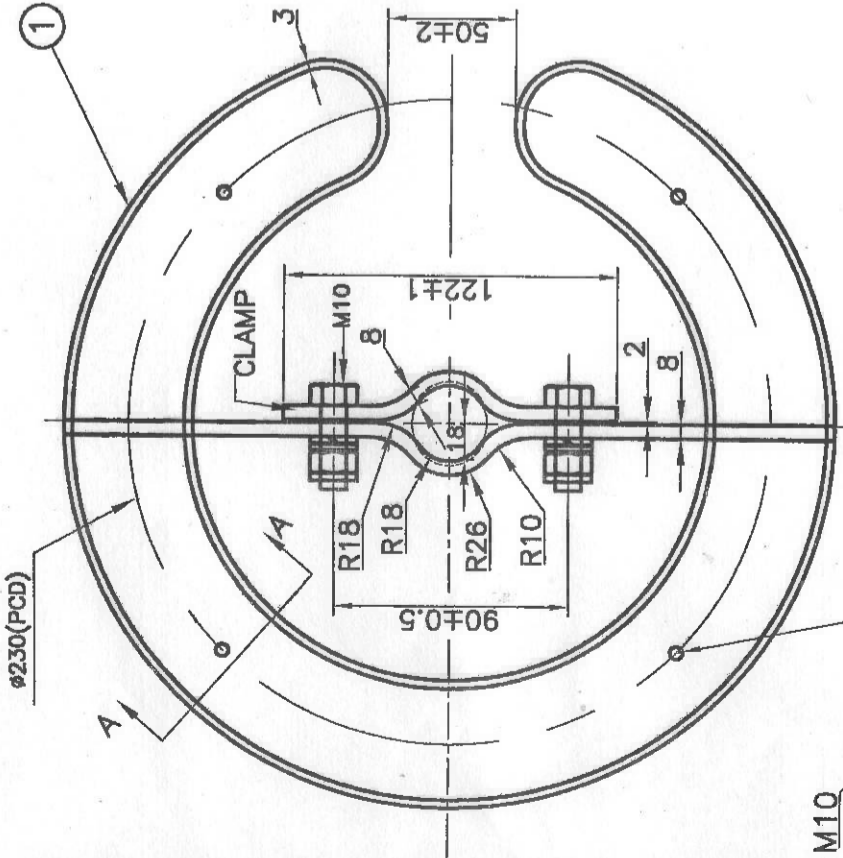
00 32593 14 786 3
 REV. DRG. No.

THE INFORMATION ON THIS DOCUMENT IS THE PROPERTY OF BHARAT HEAVY ELECTRICALS LIMITED. IT MUST NOT BE USED DIRECTLY OR INDIRECTLY IN ANY WAY DETRIMENTAL TO THE INTEREST OF THE COMPANY



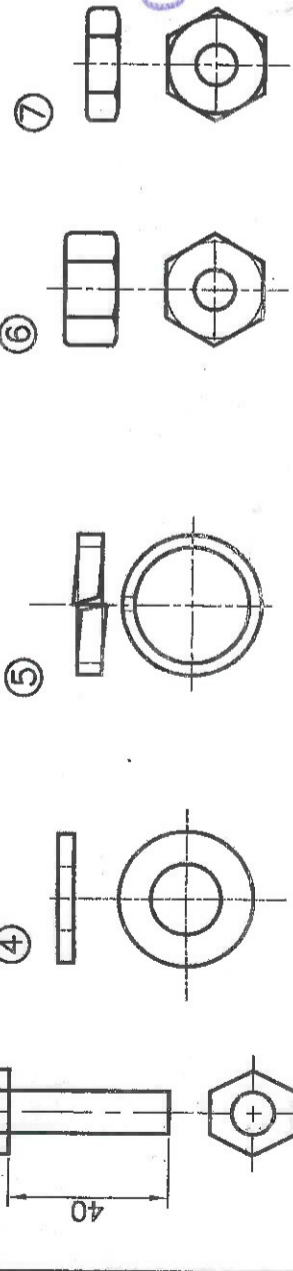
SECTION A-A

GROOVE SLOT FOR CORONA RING



SECTION B-B

GROOVE SLOT FOR CORONA RING



M10 BOLT M10 WASHER M10 SPRING WASHER M10 NUT M10 LOCK NUT

REV	DATE	ALTERED	CHECKED

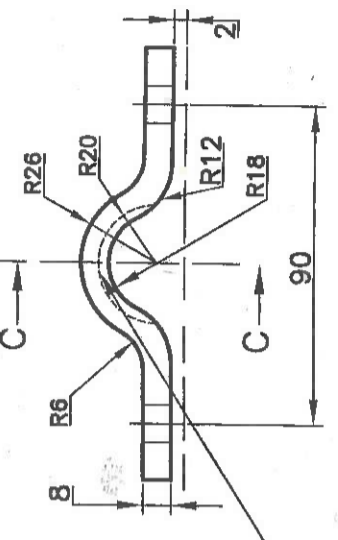
REV	DATE	ALTERED	CHECKED

REV	DATE	ALTERED	CHECKED

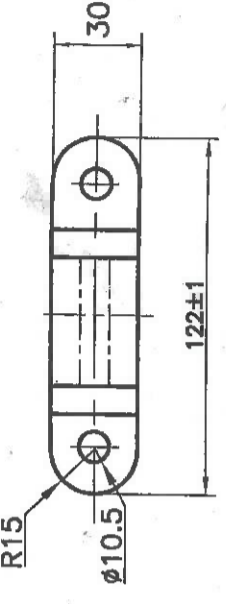
REV	DATE	ALTERED	CHECKED

ALL DIMENSIONS ARE IN mm.

2



SECTION C-C



CLAMP TO SUIT END FITTING OF 36mm

DETAILED VIEWS

NOTES :

1. MATERIAL : ALUMINIUM ALLOY CONFIRM TO DESIGNATION GR.4600, CONDITION M AS PER IS:617-1994 (HIGH PRESSURE DIE CAST).
2. CORONA RING CASTING MUST BE SMOOTH FINISH, ALSO MUST BE FREE FROM SHARP EDGES AND BURRS.
3. DIMENSION WITHOUT TOLERANCE TO BE MAINTAINED WITHIN ±0.4mm.
4. UNSPECIFIED RADI ARE 3mm.
5. CORONA RING TO BE SUPPLY IN SETS.

ITEM No.	DESCRIPTION	MATERIAL	Qty
7	LOCK NUT M10	STAINLESS STEEL GRADE AISI 304	2
6	HEX. NUT M10	STAINLESS STEEL GRADE AISI 304	2
5	SPRING WASHER M10	SPRING STEEL(GALVANISED) GRADE IS:4072&3063	2
4	WASHER PLAIN M10	STEEL GRADE Fe-410, IS:2062	2
3	BOLT	STAINLESS STEEL GRADE AISI 304	2
2	CLAMP	ALUMINIUM CASTING GRADE 4600	1
1	CORONA RING	ALUMINIUM CASTING GRADE 4600	1

BHARAT HEAVY ELECTRICALS LTD.,
 ELECTROPERCELAINS DIVISION
 BANGALORE - 560 012

DEPT. CODE
 GRADE OF TOL DIM C/M/F

SCALE N.T.S
 WEIGHT (kg) 0.9
 (Approx)

DRN SANGAMESH
 CHD C.MADIAH
 APPD B P DASHYAL

SIGN AND DATE

REF. DRG. No.

INVENTORY No.

DATE ALTERED CHECKED

DATE ALTERED CHECKED

DATE ALTERED CHECKED

ITEM No. No. OF ITEMS
 REF TO CASTING DRG.

CARD CODE

TITLE

REV. REV.

REV. REV.

REV. REV.

REV. REV.

REV. REV.

REV. REV.

CORONA RING (CASTING)

3 987 14 36523

00

00

00

00

00

00

00

SUPERSEDES DRG. No.

No. OF SHEETS

SHT.24 SIZE A3 420 x 297