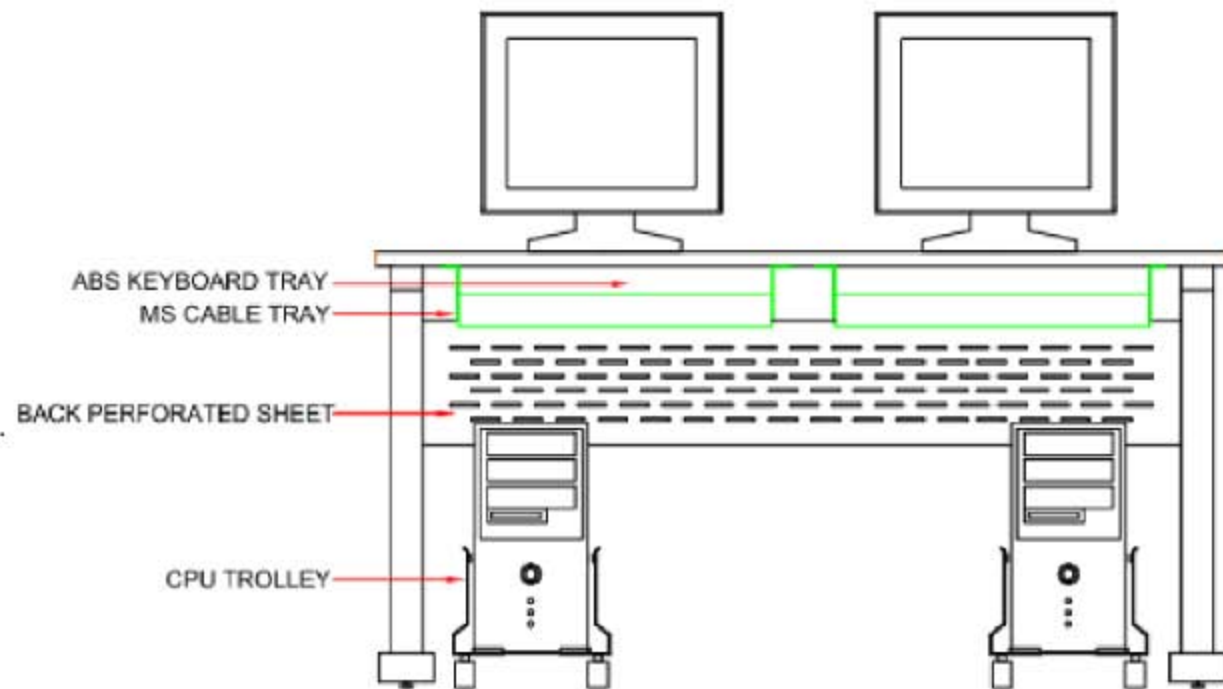


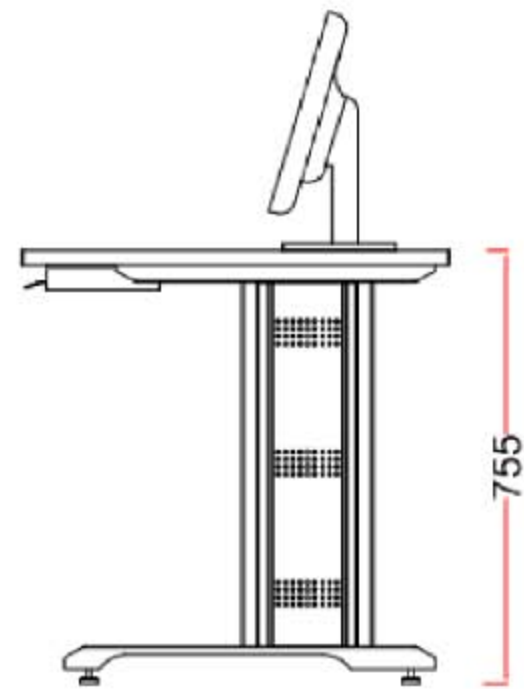
NOTE:

1. Table top is to be made of 25mm MDF.
2. Color of laminate – As per approval.
3. The open structure give ample legroom.
4. Side lag is made of MS profile with powder coated finish (RAL 9006).
5. Proper horizontal and vertical cable tray to hide wire.

TOP VIEW

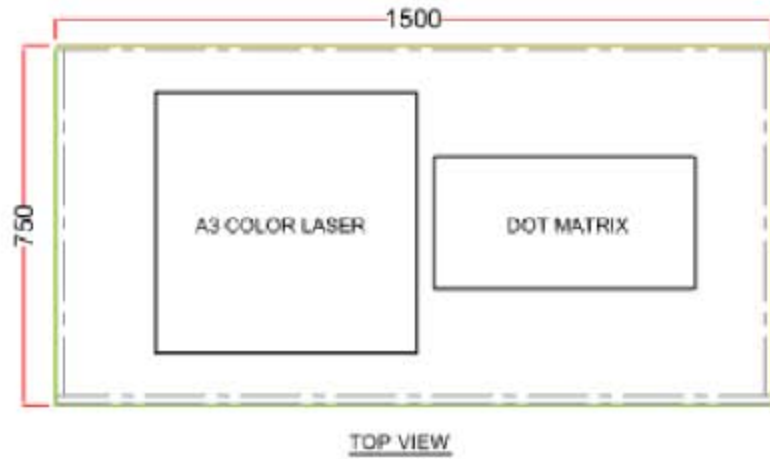


FRONT VIEW



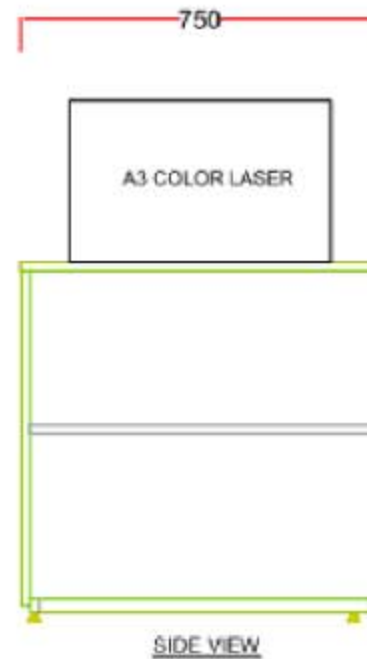
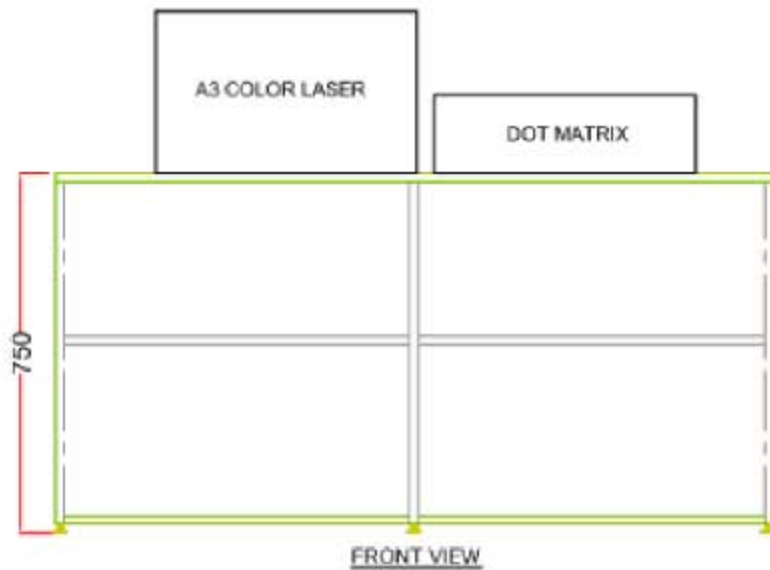
SIDE VIEW

PRINTER TABLE



NOTE:

1. Table top is to be made of 25mm prelaminated particle board.
2. Structure is made of 18mm prelaminated particle board.



FURNITURE



COMPUTER TABLE

WIDTH(W)	1500 mm
DEPTH(D)	750 mm
HEIGHT(H)	755 mm

PRINTER TABLE

WIDTH(W)	1500 mm
DEPTH(D)	750 mm
HEIGHT(H)	750 mm



GODREJ PREMIER RANGE (PCH-7102R)

WIDTH(W)	70.0 cm
DEPTH(D)	70.0 cm
HEIGHT(H)	84.0-96.5 cm
SEAT HEIGHT(SH)	46.5-59.0 cm

